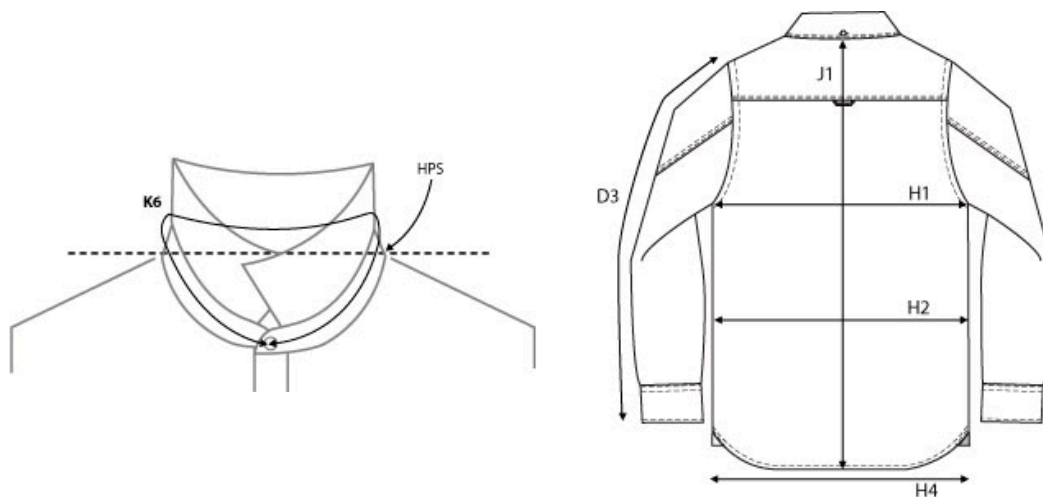
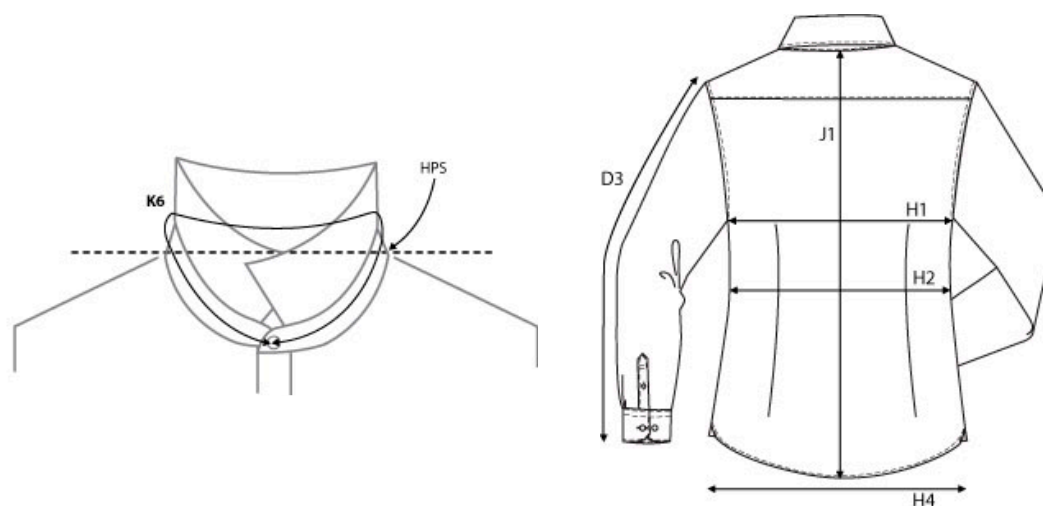


SIZE AND FIT: CALVERTON



**CALVERTON Mens**

Base size: M / Measurement (in cm)	Diagram	S	M	L	XL	XXL	3XL	4XL
COLLAR neck line CF to CF	K6	40,5	<b>42</b>	43,5	45	46,5	48	49,5
SLEEVE LENGTH from shoulder seam	D3	65,5	<b>67</b>	68,5	70,5	72,5	74,5	74,5
CHEST WIDTH at armhole	H1	51,5	<b>53,5</b>	55,5	58,5	61,5	64,5	67,5
WAIST	H2	49	<b>51</b>	53	56	59	62	65
BOTTOM WIDTH	H4	51,5	<b>53,5</b>	55,5	58,5	61,5	64,5	67,5
FULL LENGTH at centre back	J1	75	<b>77</b>	79	81	83	85	85



**CALVERTON Ladies**

Base size: M / Measurement (in cm)	Diagram	XS	S	M	L	XL	XXL	3XL
COLLAR - neck line from CF to CF	K6	36	37	<b>38</b>	39	40	41	42
SLEEVE LENGTH from shoulder seam	D3	62	63	<b>64</b>	65	66	67	68
CHEST WIDTH at armhole	H1	46	47	<b>50</b>	53	56	60	64
WAIST	H2	38	42	<b>44</b>	47	50	55	57
BOTTOM WIDTH	H4	45	48	<b>51</b>	54	57	61	64
FULL LENGTH at centre back	J1	63	65	<b>68</b>	70	72	76	77